



Terebra
COIL SPRING AUGER 

Contents

Product	3
Technology	4
Market	5
Competitive advantages	6
Business model	8
Team	9
Proposal	10
Contacts	12

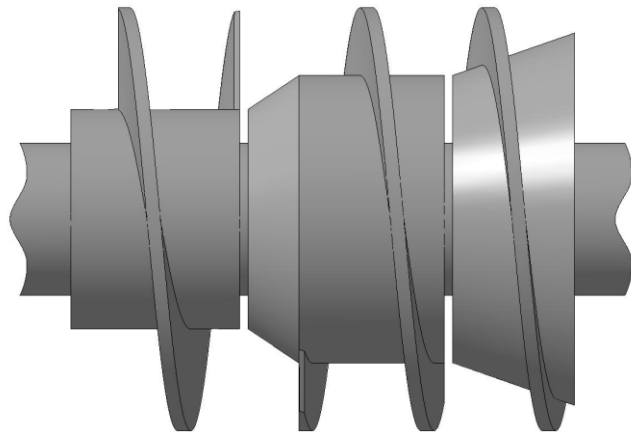
Product

- Efficiency and extruder performance improving service

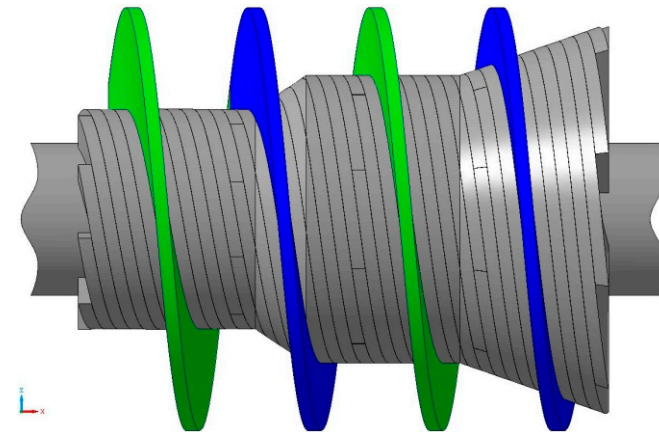


Technology

- Augers* are assembled out of standardized screw washers



simple solid auger

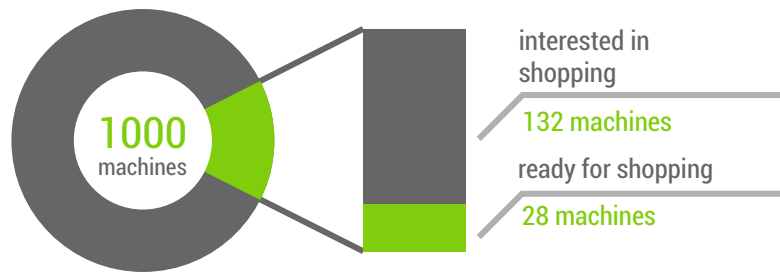


auger assembled out of standardized screw washers

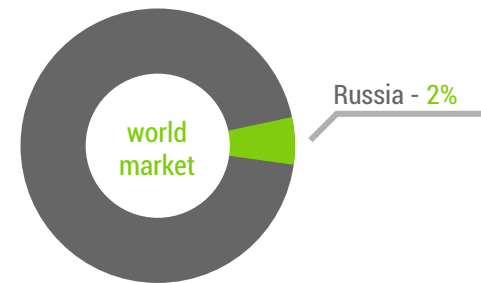
*Auger - metal rod with a screw blade

Market

Russia



Worldwide

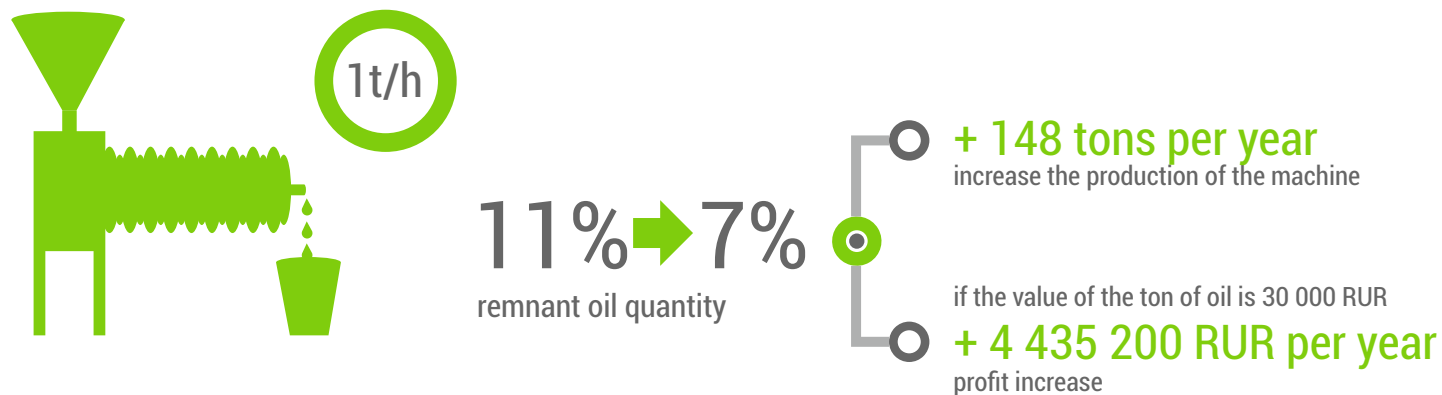


- Plant oil manufacturer
- Feedstuff manufacturer
- Trunk and plastic manufacturer

Competitive advantages

- Efficiency X2
 - no double pressing
 - 30-50% energy demands reduction
 - remnant oil quantity reducing up to 5-7%
- 2 invention patents + Know-How
- Technology improvement
 - auger perforation
 - inner screw area

Competitive advantages



+4 435 200 RUR → -2 000 000 RUR → +2 435 200 RUR*

profit increase the cost of upgrading net profit increase

*Calculation of economic benefit for the 4% remnant oil quantity reduction.

Business model

- Modernization + annual maintenance



- Equipment sales





Team



Marat Grishkov
foundator, technology developer

19 years of metal working manufacturing experience,
7 years of successful management experience.



Aleksandr Kolbas
foundator, project manager

Samsung Electronics product manager experience,
FEFU Project Office manager for 2 years



Proposal

- We need:
 - international partner
 - technological partner
 - clients

- We offer:
 - profit sharing

Proposal

○ To verify the effectiveness of the technology we offer upgrading one of your presses




○ travel and subsistence expenses:	_____	100 000 RUR
○ the cost of manufacturing and shipping the auger:	_____	600 000 RUR
○ start-up costs:	_____	500 000 RUR*
○ modernization of oil press:	_____	800 000 RUR*
_____		2 000 000 RUR

* Payment of these works after receiving the respective characteristics.

Contact us convenient for you, and we will include your personal offer annual maintenance of the equipment.

Contacts

 Have some questions?

-  terebra.ru
-  8 914 0774777
-  avk@terebra.ru